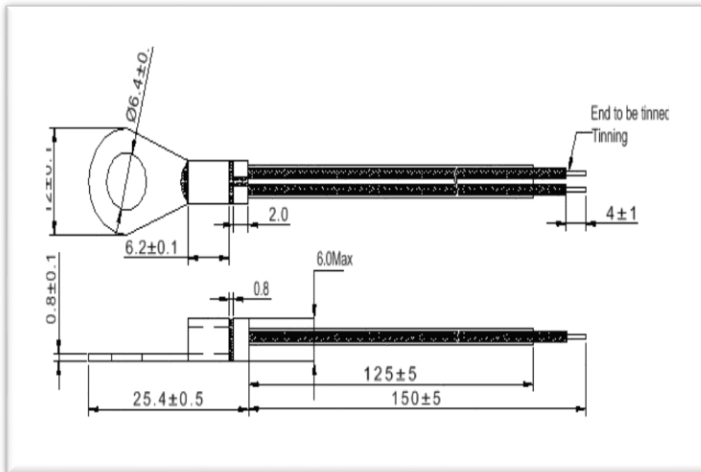


Description: NTC Thermistor Soldered to 26AWG multistrands PTFE insulated SPC UL 1180 125°C wire, which fitted in a M6 Lug for easy mounting. Wire provide an additional protection with Fiberglass sleeve.



PARAMETER	VALUE	UNIT
Resistance at 25°C	1-100	KΩ
Resistance Tolerance	±1 to ±5	%
Beta Value (25/85)°C	3435 to 4252	K
Beta Tolerance	1	%
Insulation Resistance	100	MΩ
Isolation Strength	1500	Vac
Response Time	10	sec
Storage Temperature	-40 to 85	°C
Operating temperature	-55 to +125	°C

FEATURES

- Easy mounting using ring lug terminal
- Rugged construction
- Complaint to RoHS Directive 2011/65/EU.

Applications

- Especially in electrical vehicle two-wheeler & car battery temperature sensing.
- Suitable for surface sensing application, especially when a good electrical insulation and good thermal contact with the chassis is required.
- For accurate surface temperature sensing and control in Power electronics – heat-sink temperature control.
- Surface temperature sensing temperature sensing and control in Consumer appliances.
- Surface temperature sensing temperature sensing and control in Industrial equipment.
- Surface temperature sensing temperature sensing and control in battery temperature monitoring.
- Surface temperature sensing temperature sensing and control in computer.

THERMOSEN Technologies Pvt Ltd.

NO 199/1, 9 TH WARD, 7TH MAIN, GARVEBHAVIPALYA,
OFF HOSUR ROAD, BANGALOR-560068, KARNATAKA, INDIA

PHONE :080-41106383

EMAIL: ThermosenTech@gmail.com WEBSITE: www.thermosen.com

ELECTRICAL DATA AND ORDERING INFORMATION

❖ ORDERING NUMBER	R25(Ω)	R25-TOL (± %)	B25/85 (K)	B25/85- TOL (± %)	DESCRIPTION	UL RECOGNIZED (Y/N)
TANRAD-102RxBG M60Lxxx	1,000	2,3,5	3550	1	NTC Thermistor 01KΩ B3550 M6.4 Lug Lead Length 50mm to 500mm	N
TANRAD-202RxBEM60Lxxx	2,000	2, 3, 5	3540	1	NTC Thermistor 02KΩ B3540 M6.4 Lug Lead Length 50mm to 500mm	N
TANRAD-225RxBDM60Lxxx	2,252	1,2,3,5	3977	1	NTC Thermistor 2.252kΩ B3977 M6.4 Lug Lead Length 50mm to 500mm	N
TANRAD-302RxBDM60Lxxx	30,00	1,2,3,5	3977	1	NTC Thermistor 03kΩ B3977 M6.4 Lug Lead Length 50mm to 500mm	N
TANRAD-502RxBDM60Lxxx	50,00	1,2,3,5	3977	1	NTC Thermistor Lug 05KΩ B3977 M6.4 Lug Lead Length 50mm to 500mm	N
TANRAD-103RxBDM60Lxxx	10,000	0.5,1,2,3,5	3977	1	NTC Thermistor Lug 10KΩ B3977 M6.4 Lug Lead Length 50mm to 500mm	N
TANRAD-103RxBDM60Lxxx	10,000	1,2,3,5	3435	1	NTC Thermistor Lug 10KΩ B3435 M6.4 Lug Lead Length 50mm to 500mm	N
TANRAD-203RxBEM60Lxxx	20,000	2,3,5	3627	1	NTC Thermistor Lug 20KΩ B3627 M6.4 Lug Lead Length 50mm to 500mm	N
TANRAD-203RxBDM60Lxxx	20,000	1,2,3,5	3977	1	NTC Thermistor Lug 20KΩ B3977 M6.4 Lug Lead Length 50mm to 500mm	N
TANRAD-303RxBDM60Lxxx	30,000	1,2,3,5	3977	1	NTC Thermistor Lug 30KΩ B3977 M6.4 Lug Lead Length 50mm to 500mm	N
TANRAD-503RxBDM60Lxxx	50,000	1,2,3,5	3977	1	NTC Thermistor Lug 50KΩ B3977 M6.4 Lug Lead Length 50mm to 500mm	N
TANRAD-503RxBDM60Lxxx	50,000	1,2,3,5	4252	1	NTC Thermistor Lug 50KΩ B4252 M6.4 Lug Lead Length 50mm to 500mm	N
TANRAD-104RxBFM60Lxxx	100,000	0.5,1,2,3,5	4252	1	NTC Thermistor Lug 100KΩ B425 M6.4 Lug Lead Length 50mm to 500mm	N

- ❖ Rx- Resistance Tolerance to be selected from the tolerance chart. (D for 0.5%)
- ❖ Lxxx-Wire length, (101 =100mm, 102=1000mm)

THERMOSEN Technologies Pvt Ltd.

NO 199/1, 9 TH WARD, 7TH MAIN, GARVEBHAVIPALYA,
OFF HOSUR ROAD, BANGALOR-560068, KARNATAKA, INDIA

PHONE :080-41106383

EMAIL: ThermosenTech@gmail.com WEBSITE: www.thermosen.com

CUSTOM DESIGN & SUPPORT:

- Other resistance curve & tolerance are available on request
- End wire stripped and Tinned or connector crimped. Part can be supplied with customised connectors

Consult Thermosen Technologies Pvt, Ltd for more all available options

PACKING:

- Bulk layer packing
- 200 in poly bag
- 5000 in bigger poly bag
- 20000 in a Corrugated box
- Custom packing solution will be provided.

